

# Navian Marketing Report

～5G は市場の牽引役となるか？

Front End Module と高周波部品市場の中期展望～

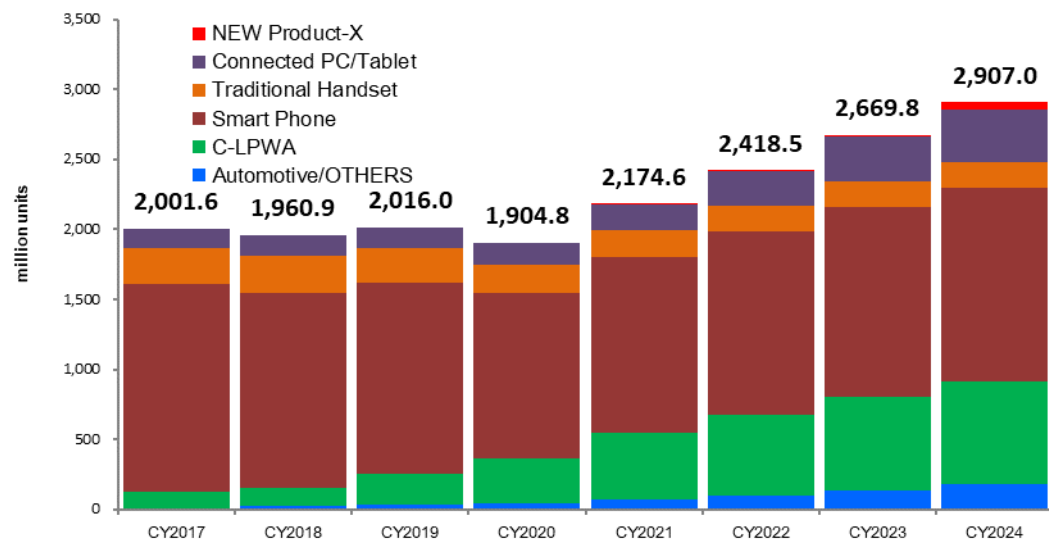
## RF Devices/Modules for Cellular 2019-2020

2020年12月8日発刊

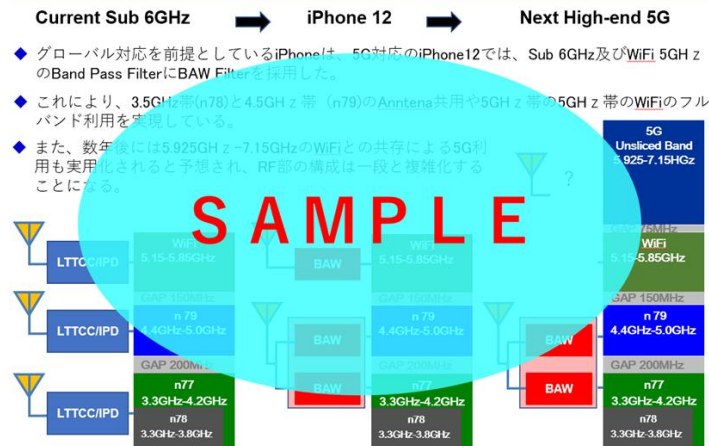
本レポートで対象とする RF Devices / Modules

- ① Front end Module (ASM・RX Module・TX Module・PAiD・PAMiD・FEMiD・Multiplexer・Antenna Multiplexer・5G TX Module/PAMiF・AIP・mmW Module)
- ② Antenna Switch (For Main RF・For RX Diversity)
- ③ Power Amplifier Module
- ④ Duplexer (SAW/BAW/IHP)
- ⑤ Band Pass Filter (SAW/BAW/IHP/LTCC for Sub 6GHz/IPD for Sub 6GHz)
- ⑥ TCXO

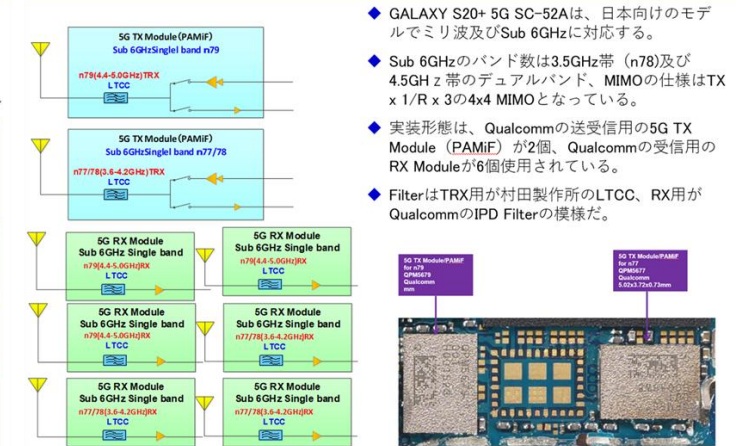
### Cellular Terminal Shipment Forecast by Standard



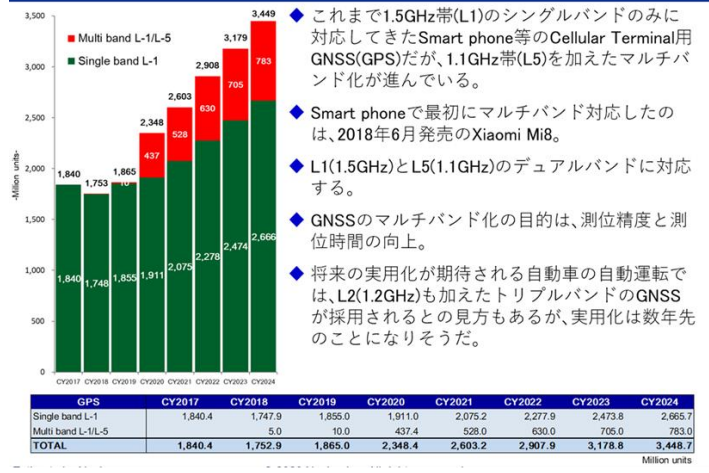
### Consideration of Antennas & Filters for Sub 7GHz



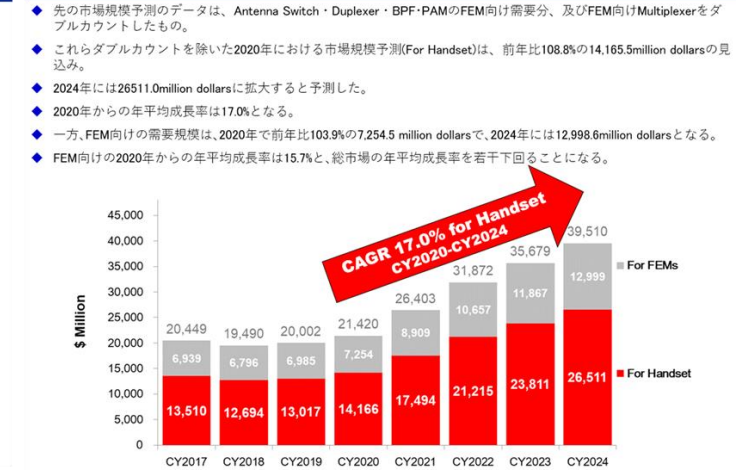
### Sub 6GHz RFFE of SAMSUNG GALAXY S20+ 5G SC-52A



### Multi-band GNSS Forecast



### RF Devices / Modules Total Market Forecast - For FEMs / For COB -



**New Product X**  
表示や入出力がSmart phone等の既存のMobile機器とは一線を画す5G時代を牽引する新型機器の登場を予想。



**Cellular LPWA IOT**  
5Gの目玉の一つだが、5G規格のNR-IOTはしばらく時間がかりそう当面は4GベースのNB-IOTを中心にIOTの市場が拡大する。



**Cellular V2X**  
Cellular V2Xは、LTEの採用がこれからといった段階。WiFiベースの802.11pとの競合もあり、需要規模は限定的。



**Cellular PC/Tablet**  
5Gの実用化に伴って、Tablet・Notebook PCのCellular搭載が本格化、Notebook PC・Tablet市場を刺激するカンプル剤としても期待。



**Smart phone**  
5Gの採用が最も期待される製品。ただ、ミリ波についてはスペース・コスト・消費電力の面から限定的との見方が強い。



**Traditional Handset**  
5Gの採用は最後発となる。またミリ波の採用もなく、Sub 3GHz又はSub 6GHzの採用に止まる。

# Report Sample

●お申し込みは同封の FAX 申し込み用紙又は電子メール・お電話にて承ります。

■資料発刊要領

**RF Devices/Modules For Cellular 2019-2020 日本語版**  
**-CD-ROM (PDF file & Excel file)-**

○発刊予定日 2020年12月8日

○資料体裁 A4版 フルカラー 329スライド(予定) CD-ROM(PDF file) ※印刷物は付属いたしません  
PDF file of report/Excel data

○価格 ① 190,000円(税別) 四半期レポート年間購読のお客様  
② 240,000円(税別) 過去1年以内に四半期レポート購入歴のあるお客様  
③ 285,000円(税別) 過去1年以内に四半期レポート購入歴のないお客様

※連結企業の総従業員数が10,000人以上の企業様では、国内の事業部門内又は部署内(子会社の場合は企業単位)のご利用に限定させていただきます。  
※全社(含む関連会社)でのご利用の場合は、グローバルライセンスでのご提供を承りますので、下記担当者までご相談ください。

■お問い合わせ・お申し込み先  
有限会社 ナビアン  
担当: 安藤 嘉泰 andoh@navian.co.jp  
〒167-0041 東京都杉並区善福寺 2-18-2  
TEL 03-5303-1303 FAX 03-5303-1304  
※お支払いは、調査レポートのお届け後、弊社指定口座に現金でお振り込みください(請求書は書籍に同封)

**Phase1. Cellular Terminal Shipment Forecast****I. Cellular Terminal Shipment AND Update**

- Cellular Terminal Variation & Definition
- Cellular Terminal Annual Shipment History CY2001-CY2020
- Annual Cellular Terminal Shipment Trend by Product Type
- Annual Cellular Terminal Shipment Trend by Cellular Standard
- Annual Cellular Terminal Market Share Trend
- Key Terminal Manufacturer Annual Shipment History CY2015-CY2019
- Cellular Terminal Shipment By Maker & Cellular Standard History CY2015-CY2019

**II. 5G Situation & Topics**

- Cellular Terminals Classification For 5G
- 5G Specifications Comparison to LTE
- Detailed 5G Specifications
- 5G Application Trend
- 5G standardization History & Schedule
- 5G standardization Release 15 & Release 16
- Cellular IOT vs Non Cellular IOT
- 5G Frequency Band Plan
- Wireless Frequency Band Standard Organization
- 5G Frequency Band Plan
- Detailed Sub 6GHz Frequency Band Plan
- 5G Smartphone Shipment CY2019-CY2020
- Outline of 5G Smartphone Vendors
- 5G Smartphone Shipment by destination
- 5G Shipment CY2019-CY2020 by Brand
- 5G Product Shipment by Platform
- 5G RF Front End Circuit
- Conventional FEM for Sub 6GHz
- Main Players
- FEM and Main RF components for Sub 6GHz
- Consideration of Antennas & Filters for Sub 7GHz

**III. Cellular Terminal Shipment Forecast –CY2024**

- Cellular Terminal Forecast by Product
- Cellular Terminal Forecast by Standard
- 5G Cellular Terminal Forecast by Band Group
- Forecast of Sub 6GHz Band Combination
- Increasing FDD bands for EN-DC 1/2
- 3G/4G/5G Band Plan Update
- Diversity Forecast
- Multi-band GNSS(GPS) for High-end Smartphone
- Multi-band GNSS Forecast
- Cellular Terminal Forecast by Product & Standard
- Cellular Terminal Forecast by Standard & Frequency
- Cellular Terminal Forecast in Detail
- Future Market Opportunities by Standard in CY2024
- How will Sub 6GHz RFFE Change from 4G to 5G?
- 5G RFFE ESTIMATION by Platform
- Detailed 5G NR RFFE Estimation for Full Specification
- 5G RFFE ESTIMATION
- EN-DC Combination Examples
- Sub 6GHz Co-Existence with WiFi

**Phase 2. 3G/4G/5G RF Platform Analysis****I. RF Platform Trend & Forecast**

- 5G RF Platform share Trend
- 5G Platform Forecast

3G/4G/5G Total Platform Forecast

**II. iPhone12 Pro Analysis**

- iPhone12 Pro vs. GALAXY S20+in mmW Part
- mmW in iPhone 12 Pro for USA
- RF Components and FEMs in iPhone12 & 11
- Detailed Table of RF Components and FEMs in iPhone12 pro & 11 pro
- Teardown of iPhone 12Pro Japan/Canada Model A2406
- Upper Motherboard- SIDE-B
- Lower Motherboard- SIDE-A

**III. Sub 6GHz RFFE Examples and Analysis**

- Sub 6GHz RFFE of SAMSUNG GALAXY S10 5G SM-G977N
- Sub 6GHz RFFE of Huawei MATE20X5 EVR-AN00
- Sub 6GHz RFFE of Xiaomi Mi Mix 3 5G M1810E5GG
- Sub 6GHz RFFE of OPPO Reno3 5G
- Sub 6GHz RFFE of SAMSUNG GALAXY S20+ 5G SC-52A
- Sub 6GHz RFFE of Apple iPhone12Pro A2406
- RF Market Potential in 4.5G-5G
- What's Dual Uplink?
- AIP (Antenna In Package) for Millimeter Wave
- Substrate for AIP
- Example of NB-IOT Module
- RF Front end for NB-IOT

**IV. Hot Products Teardowns**

1. Hot Products Teardown-1
  - ① Teardown Summary
  - ② iPhone 11Pro A2215  
-2019model Latest iPhone-
  - ③ Huawei MATE 20X 5G  
-Huawei First 5G Smart phone-
  - ④ Xiaomi Mi MIX 3 5G  
-Xiaomi First 5G Smart phone-iPhone-
2. Hot Products Teardown-2
  - ① Teardown Summary
  - ② OPPO Reno3 5G  
~1st 5G Smartphone with MTK~
  - ③ Huawei MATE 30 Pro 5G LIO-AN00  
~Huawei 2nd Generation High-end 5G Smartphone~
  - ④ VIVO X30 5G  
~1st Chinese 5G Smartphone with SAMSUNG Platform-H
3. Hot Products Teardown-3
  - ① Teardown Summary
  - ② OPPO Reno3 Pro 5G PCRM00 (China Model)  
-OPPO High-end 5G Smartphone with Second Generation RF Platform of Qualcomm-
  - ③ Huawei HONOR V30 5G  
-Huawei Mid-end 5G Smartphone-
  - ④ Xiaomi Redmi 10X Pro 5G  
-First 5G Smartphone with MTK MediaTek Dimensity 820-

**Phase3. RF Devices / Modules Market Status & Forecast****I. RF Devices / Modules Total Market Forecast CY2017-CY2024**

1. RF Devices / Modules in This Report
2. RF Devices / Modules Total Market Forecast Detail Data
3. RF Devices / Modules Total Market Forecast - For FEMs / For COB -
4. RF Devices / Modules Total Market Forecast - Except overlap -
5. RF Devices / Modules Total Market Forecast Detail Data - Except overlap -
6. RF Devices / Modules For Cellular Market Share Breakdown -CY2017-CY2020

**II. Front End Module & Sub Front End Module Market Forecast CY2024****1. Front End Module/ Sub Front End Module Variation & Circuit Examples**

- a. Outline of PAMID
- b. Multiplexer:Quadplexer Example & Outline
- c. Antenna Multiplexer Outline
- d. Front End Module & Sub Front End Module Variation & Outline
- e. Front End Module & Sub Front End Module Usage
- f. 4G Trend & Future Estimation
- g. Usage of Front End Module for 4G by Customer

**2. FEM Market Forecast**

- a. FEM Supply-chain
- b. Front End Module Market Trend & Forecast by Product Type
- c. Front End Module Market Trend & Forecast by Product Type : Detail Data
- d. Sub Front End Module Market Trend & Forecast by Product Type
- e. Sub Front End Module Market Forecast : Detailed Data

**3. Antenna Switch Module**

- a. Antenna Switch Module Market Size Trend & Forecast by Product Type
- b. Antenna Switch Module Market Forecast : Detailed Data
- c. ASM Market Share Trend

**4. TX Module**

- a. TX Module Market Size Trend & Forecast by Product Type
- b. TX Module Market Share Trend

**5. FEMiD**

- a. FEMiD Module Market Size Trend & Forecast by Product Type
- b. FEMiD Market Forecast : Detailed Data
- c. FEMiD Market Share Trend
- d. FEMiD Market Share Breakdown per Product Type

**6. PAMiD**

- a. PAMiD Market Size Trend & Forecast by Product Type
- b. PAMiD Market Forecast DATA
- c. PAMiD Market Share Trend 1/2
- d. PAMiD Supply chain
- e. PAMiD Suppliers Outline
- f. PAMiD Market Share Breakdown per Product Type

**7. All-in-One FEM**

- a. All-in-One FEM Market Size Trend & Forecast
- b. All-in-One Market Share Trend

**8. 5G TXM (PAMiF)**

- a. Outline of 5G TX Module
- b. 5G TXM (PAMiF) Market Forecast
- c. 5G TXM (PAMiF) Market Share Trend
- d. 5G TXM (PAMiF) Market Forecast DATA

**9. AIP (Antenna In Package) for Millimeter Wave**

- a. Motorola 5G Moto Mods mmWave Antenna Location
- b. Motorola 5G Moto Mods mmWave AIP
- c. Motorola 5G Moto Mods mmWave Antenna Modules
- d. AIP (Antenna In Package) Market Forecast

**10. mmW Module**

- a. mmW Module Market Forecast
- b. mmW Module Market Share Trend

**11. FEM for NB-IOT/5G-IOT**

- c. FEM for NB-IOT/5G-IOT Market Forecast
- d. FEM for NB-IOT/5G-IOT Market Share Trend

**12. Diversity FEM**

- a. Diversity FEM Market Size Trend & Forecast by Product Type
- b. Diversity FEM Market Forecast : Detailed Data
- c. Diversity FEM Market Share Trend

d. Diversity FEM Supply chain

**13. Multiplexer**

- a. Multiplexer Supply Supply Chain
- b. Multiplexer Market Size Trend & Forecast by Band Combination
- c. Multiplexer Market Size Trend & Forecast by Product Type
- a. Multiplexer Market Size Trend & Forecast For COB or For FEMs
- b. Multiplexer Market Size Trend & Forecast by Duplexer Type
- c. Multiplexer Market share Trend
- d. Market Share Breakdown per Product Type

**14. Antenna Multiplexer**

- a. Antenna Multiplexer Outline
- b. Antenna Multiplexer Market Size Trend & Forecast by Product Type
- c. Antenna-Multiplexer Market Forecast : Detailed Data
- d. Antenna-Multiplexer Market Share Trend
- e. Antenna-Multiplexer Market Share Breakdown per Product Type

**III. Antenna Switch**

1. Total Market Size Trend & Forecast
2. Antenna Switch for Main RF Market Size Trend & Forecast
3. Antenna Switch for Diversity Market Size Trend & Forecast
4. Antenna Switch for Main RF Market Share Trend
5. Antenna Switch for RX Diversity Market Share Trend
6. Annual Antenna Switch for Main RF Market Share Breakdown per Product Type
7. Annual Antenna Switch for Diversity Market Share Breakdown per Product Type

**IV. Power Amplifier Module**

1. Market Size Trend & Forecast by Product Type
2. MM PAM Type & Outline
3. Multi-band/Multi-mode PAM Market Size Trend & Forecast by Product Type
4. Power Amplifier Module Market Forecast Detailed Data -Quantity-
5. Power Amplifier Module Market Forecast Detailed Data -Quantity-
6. PAM TOTAL Market Share Trend
7. Single PAM Market Share Trend
8. Multi-band/Multi-mode PAM Market Share Trend
9. Power Amplifier Module Market Share Breakdown per Product Type

**V. Duplexer**

1. Duplexer Market Size Trend & Forecast by Product Type
2. Duplexer Market Size Trend & Forecast for FEMs
3. Duplexer for FEMs
4. Duplexer usage by Band Duplexer
5. Market Size Trend & Forecast by Band
6. Duplexer Market Forecast Data table
7. Duplexer Market Share Trend
8. Duplexer Supply chain
9. Duplexer Market Share Breakdown per Product Type CY2017-CY2020

**VI. Band Pass Filter**

1. Application & Classification
2. Band Pass Filter Market Size Trend & Forecast by Application
3. Band Pass Filter Market Size Trend & Forecast by Product Type
4. Band Pass Filter Market Size Trend & Forecast for FEMs
5. Band Pass Filter Market Size Forecast by Application/Technology
6. Band Pass Filter Market Size Forecast by Technology/Application
7. BPF Market Share Trend
8. Filter (Duplexe & BPF) Suppliers Outline
9. Low Performance Filter (IPD/LTCC) manufacturers

**VII. TCXO**

1. Market Size Trend & Forecast by Application TCXO
2. Market Size Trend & Forecast : Detailed Data TCXO

# F A X 申 込 用 紙

有限会社ナビアン 行き

Fax : 03-5303-1304

(Tel:03-5303-1303)

- 「RF Devices/Modules For Cellular 2019-2020」 を下記の通り申し込みます。

Report Title	価格	数量
RF Devices/Modules For Cellular 2019-2020 ※四半期レポート年間購読のお客様	190,000 円 (税別)	
RF Devices/Modules For Cellular 2019-2020 ※過去 1 年以内に四半期レポート購入歴のあるお客様	240,000 円 (税別)	
RF Devices/Modules For Cellular 2019-2020 ※過去 1 年以内に四半期レポート購入歴のないお客様	285,000 円 (税別)	

※ 連結企業の総従業員数が 10,000 人以上の企業様では、国内の事業部門内又は部署内(子会社の場合は企業単位)のご利用に限定させていただきます。

※ 全社(含む関連会社)でのご利用の場合は、コーポレートライセンスでのご提供を承りますので、相談ください。

日 付	年	月	日
社 名			
所 属			
役 職		氏 名	印
E - m a i l	@		
住 所	〒 -		
電 話		F A X	

※電子メールアドレスは、Gmail や YAHOO メールなどのフリーメール以外のメールアドレスをご記入下さい。

- 本レポートに対するご意見・ご要望などございましたら、下記にご記入ください。

---

---

---

---

---

---

---