

Navian Marketing Report

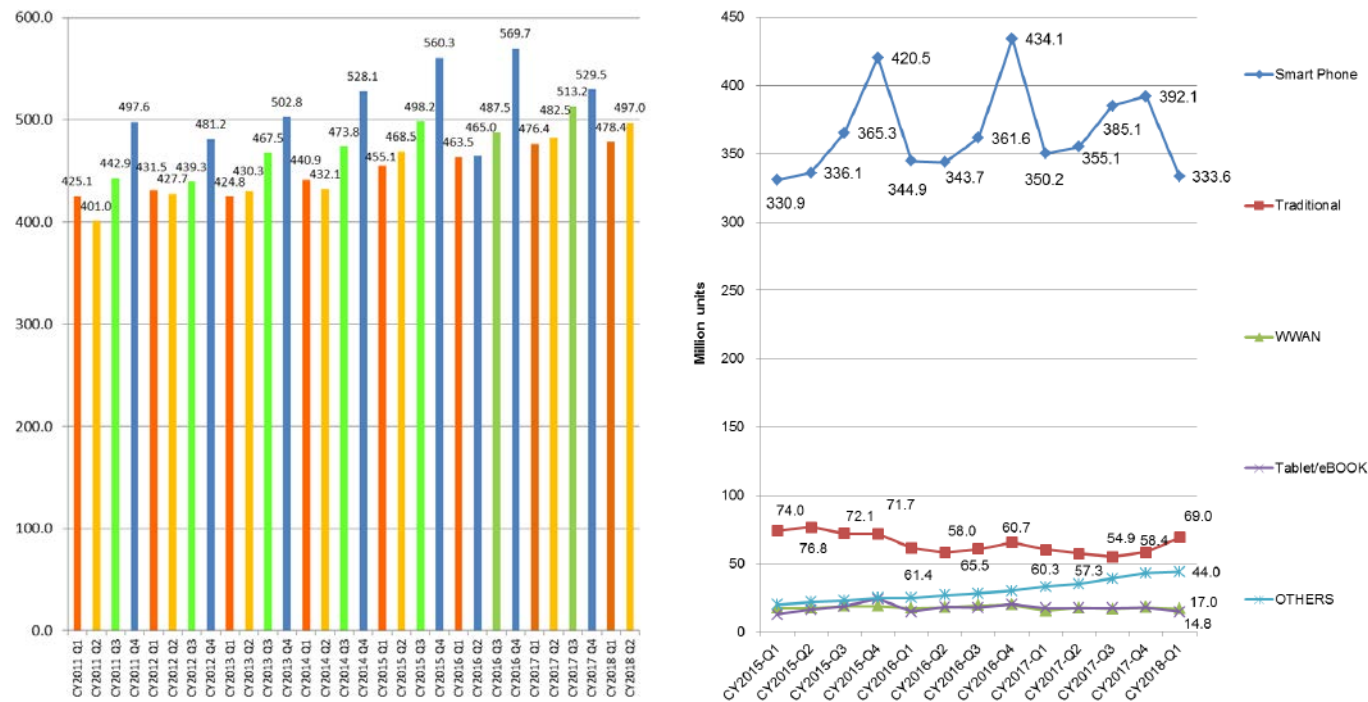
RF Devices/Modules For Cellular Terminal Quarterly Market Report Q4 2018

2019年4月13日発行

本レポートで対象とする Cellular Terminal 用高周波部品・モジュール

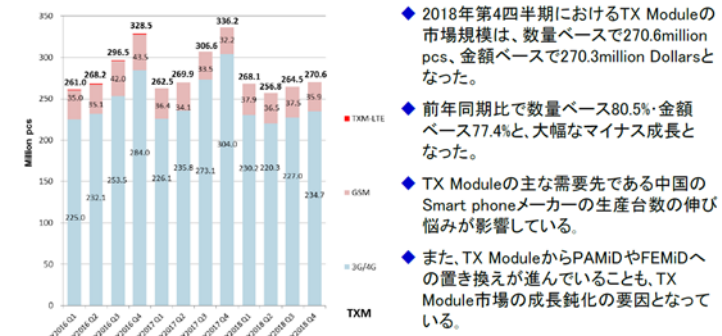
- ① Front end Module (ASM・RX Module・TX Module・PAiD・FEMiD・All-in-One FEM・PAMiD・FILTER BANK・Duplexer Bank・Multiplexer・A-Multiplexer)
- ② Antenna Switch (Main RF/Diversity) Power Amplifier Module
- ④ Duplexer
- ⑤ Band Pass Filter
- ⑥ TCXO

Cellular Terminal の製品タイプ別及び規格別出荷構成比 四半期推移



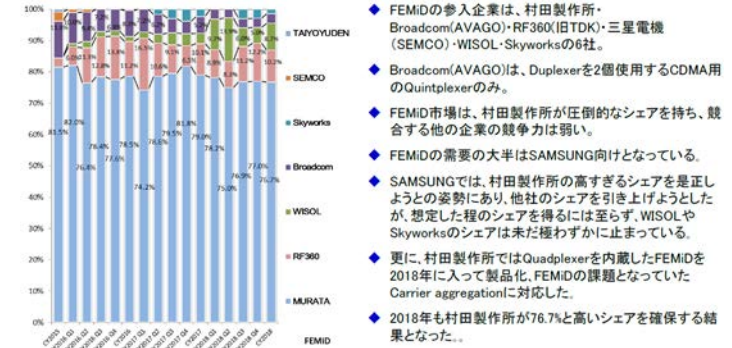
Report Sample

4Q 2018 : TX Module Market Size

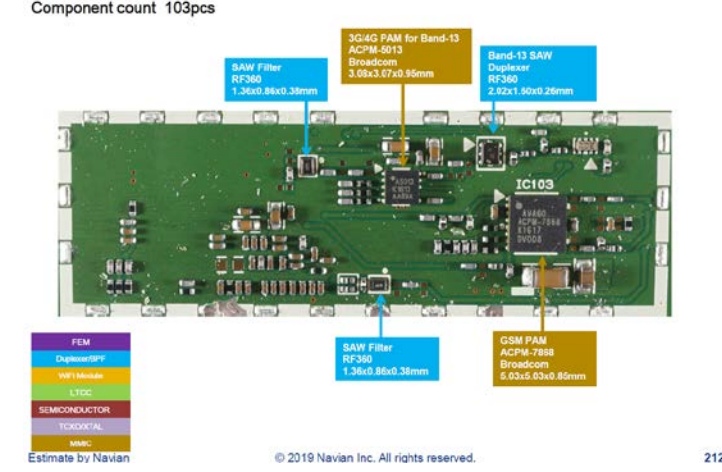


QTY	SGM	CY2015-Q1	CY2015-Q2	CY2015-Q3	CY2015-Q4	CY2016-Q1	CY2016-Q2	CY2016-Q3	CY2016-Q4	CY2017-Q1	CY2017-Q2	CY2017-Q3	CY2017-Q4	2018-01	2018-02	2018-03	2018-04
SGM	250.0	250.0	268.7	284.0	282.0	269.9	270.1	306.6	336.2	268.1	258.9	264.5	270.6	270.6	270.6	270.6	270.6
TXM LITE	25.0	31.7	39.0	38.0	36.0	36.0	41.6	47.2	33.1	31.9	33.5	34.6	34.6	34.6	34.6	34.6	34.6
GSM	10.0	10.0	10.0	10.0	10.0	10.0	10.0	10.0	10.0	10.0	10.0	10.0	10.0	10.0	10.0	10.0	10.0
3G/4G	115.0	127.0	135.0	134.0	123.9	124.1	155.0	179.0	125.0	117.0	121.0	126.0	126.0	126.0	126.0	126.0	126.0
TOTAL	400.0	427.4	468.0	464.0	433.9	434.1	510.6	594.2	493.7	455.9	487.5	502.6	501.2	501.2	501.2	501.2	501.2

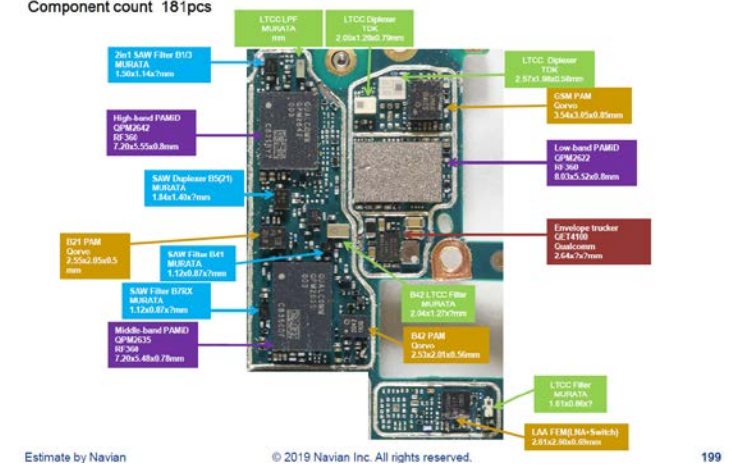
FEMiD Market Share for Q4 CY2018 & CY2018 Result



GMC SIERRA 2017 COMM ONSTAR MODULE 759468 RF Section-2



Google Pixel3 RF Section-2



●お申し込みは同封の FAX 申し込み用紙又は電子メール・お電話にて承ります。
●内容等のお問い合わせは下記担当まで、お気軽にお申し付けください。
■資料発刊要領

RF Devices/Modules For Cellular Terminal Quarterly Market Report Q4 2017
-CD-ROM (PDF file)-

○発行日 2019年4月13日
○資料体裁 A4版 フルカラー 213スライド CD-ROM(PDF file) ※印刷物は付属いたしません
PDF file of report/Excel data/JPEG files of Teardown photos
○価格 150,000円(税別) ※168,000JPN for international customers
※年四回分のお申し込みの場合は 498,000円(税別)
※上記費用はローカルライセンスを対象としています。
※連結企業の総従業員数が10,000人以上の企業様では、国内の事業部門内又は部署内(子会社の場合は企業単位)のご利用に限定させていただきます。

■お問い合わせ・お申し込み先
有限会社 ナビアン
担当: 安藤 嘉泰 andoh@navian.co.jp
〒167-0041 東京都杉並区福寿寺 2-18-2
TEL 03-5303-1303 FAX 03-5303-1304
※お支払いは、調査レポートのお届け後、弊社指定口座に現金でお振り込みください(請求書は書籍に同封)



Non-Voice

Voice

PHASE 1. CELLULAR TERMINAL SHIPMENT AND UPDATE

1. Cellular Terminal Quarterly Shipment History
2. Cellular Terminal Quarterly Shipment by Product Type
3. Cellular Terminal Quarterly Shipment by Standard
4. Cellular Terminal Annual Shipment
5. Annual Shipment History CY2000-CY2018
6. Annual Cellular Terminal Shipment Trend by Product Type
7. Annual Cellular Terminal Shipment Trend by Cellular Standard

PHASE 2. SHIPMENT AND STATUS OF CELLULAR TERMINAL KEY MANUFACTURER

1. Cellular Terminal Shipment by Maker & Product Type
Q1 CY2015-Q4 CY2018
2. Cellular Terminal Shipment by Maker & Cellular Standard
Q1 CY2015-Q4 CY2018
3. Annual Cellular Terminal Market Share Trend
 - (1) Cellular Terminal Shipment by Manufacturer & Product Type
CY2014-CY2018
 - (2) Cellular Terminal Shipment by Manufacturer & Cellular Standard
CY2014-CY2018
4. RF Platform Market Share by Cellular Terminal Manufacturer
 - (1) UMTS RF Platform Market Share by Cellular Terminal Manufacturer
Quarterly data: Q1 CY2015-Q4 CY2018
Annual data: CY2015-CY2018
 - (2) UMTS RF Platform Market Share by Cellular Terminal Manufacturer
Quarterly data: Q1 CY2015-Q4 CY2018
Annual data: CY2015-CY2018

PHASE 3. RF Devices / Modules For Cellular Market Trend

1. Front End Modules
 - (1) Quarterly Front End Module Market Trend
 - (2) Annual Front End Module Market Trend by Product
 - (3) Detailed Data of Front End Module Marke
 - (4) Q4 CY2018 : Front End Module Market Size & Trend by Product
 - ①Antenna Switch Module
 - ②RX Module

- ③TX Module
- ④FEMiD
- ⑤All-in-One FEM
- ⑥PAMiD
- ⑦PAiD
- ⑧Filter Bank
- ⑨Duplexer Bank
- ⑩Multiplexer (Quadplexer/Hexaplexer)
- ⑪Antenna –Multiplexer

2. Antenna Switches
 - (1) Antenna Switch Market Size in Q4 CY2018
Antenna Switch TOTAL Market Size
Antenna Switch for Main RF Market Size by Throw Count
Antenna Switch for Main RF Market Size by Substrate
Antenna Switch for Diversity Market Size by Substrate
 - (2) Quarterly Detailed Data of Antenna Switches
 - (3) Annual Market Size of Antenna Switch in CY2018
Market Size of Antenna Switch
Market Size of Antenna Switch for Main RF by Throw Count
Market Size of Antenna Switch for Main RF by Substrate
Market Size of Antenna Switch for Diversity by Substrate
3. Power Amplifier Module
 - (1) Power Amplifier Module Market Size in Q4 CY2018
 - (2) Annual Market Size of Power Amplifier Module by Product Type in CY2018
 - (3) Annual Detailed Data of Power Amplifier Module Market

4. Duplexers
 - (1) Duplexer Market Size in Q4 CY2018
 - (2) Annual Market Size of Duplexer by Band in CY2018
 - (3) Annual Detailed Data of Duplexer Market

5. Band Pass Filters
 - (1) Band Pass Filter Market Size in Q4 CY2018
 - (2) Annual Market Size of Band Pass Filter in CY2018

6. TCXOs
 - (1) TCXO Market Size in Q4 CY2018
 - (2) Annual Market Size of TCXO in CY2018

PHASE 4. RF COMPONENT/MODULE

KEY MANUFACTURER TREND

1. Front End Modules
 - (1) Antenna Switch Module
ASM Market Share for Q2 CY2018 Result & CY2018 Forecast
ASM Market Share Breakdown per Product Type
 - (2) RX Module
RX Module Market Share for Q4 CY2018 & CY2018 Result
RX Module Market Share Breakdown per Product Type
 - (3) TX Module
TX Module Market Share for Q4 CY2018 & CY2018 Result
TX Module Market Share Breakdown per Product Type
 - (4) FEMiD
FEMiD Market Share for Q4 CY2018 & CY2018 Result
FEMiD Market Share Breakdown per Product Type
 - (5) PAiD
PAiD Market Share for Q4 CY2018 & CY2018 Result
PAiD Market Share Breakdown per Product Type
 - (6) Filter Bank
Filter Bank Market Share for Q4 CY2018 & CY2018 Result
Filter Bank Market Share Breakdown per Product Type
 - (6) Duplexer Bank
Duplexer Bank Market Share for Q4 CY2018 & CY2018 Result
Duplexer Bank Market Share Breakdown per Product Type
 - (7) Multiplexer
Multiplexer Market Share for Q4 CY2018 & CY2018 Result
Multiplexer Market Share Breakdown per Product Type
2. Antenna Switches
 - (1) Antenna Switch Market Share for Q4 CY2018 & CY2018 Result
Antenna Switch for Main RF
Antenna Switch for Main RF =>SP7T
 - (2) Quarterly Antenna Switch for Main RF Market Share Breakdown
per Product Type
 - (3) Annual Antenna Switch for Main RF Market Share Breakdown
per Product Type
 - (4) Quarterly Antenna Switch for Diversity Market Share Breakdown
per Product Type
 - (5) Annual Antenna Switch for Diversity Market Share Breakdown

- (6) Antenna Switch Supply chain
3. Power Amplifier Module
 - (1) PAM Market Share for Q4 CY2018 & CY2018 Result
 - (2) 3G/4G PAM Market Share for Q4 CY2018 & CY2018 Result
 - (3) UMTS PAM Supply chain
 - (4) M/M PAM Type & Supply Chain
 - (5) M/M PAM Market Share for Q4 CY2018 & CY2018 Result
 - (6) MM PA Shipment Breakdown per Manufacturer
 - (7) Quarterly PAM Market Share Breakdown per Product Type
 - (8) Annual Power Amplifier Module Market Share Breakdown
per Product Type
4. Duplexers
 - (1) Duplexer Market Share for Q4 CY2018 & CY2018 Result
 - (2) Duplexer Supply chain
 - (3) Quarterly Duplexer Market Share Breakdown per Product Type
 - (4) Annual Duplexer Market Share Breakdown per Product Type
5. Band Pass Filters
 - (1) BPF Market Share for Q4 CY2018 & CY2018 Result
 - (2) BPF Market Share history by Product Type: SAW & BAW
6. TCXOs
 - (1) TCXO Market Share for Q4 CY2018 & CY2018 Result
 - (2) TCXO Market Share Breakdown per Product Type
 - (3) TCXO Supply chain

PHASE 5. Hot Products Teardown

1. Teardown Summary
Product outline: Product type/Release date/price/Network
RF Components / Modules useage
2. Huawei MATE20NEW iPhone XS/XR
- Huawei Latest High-end Smart phone-
3. Google Pixel3
- Google Latest High-end Smart phone-
4. BMW X5 F15 TELEMATIC CONTROL MODULE
- BMW Telematics Control Unit -
5. GMC SIERRA 2017 COMM ONSTAR MODULE
- GM Telematics Control Unit -

F A X 申 込 用 紙

有限会社ナビアン 行き

Fax : 03-5303-1304

(Tel:03-5303-1303)

- 「RF Devices/Modules For Cellular Terminal Quarterly Market Report」
を下記の通り申し込みます。

Report Title	価格	数量
■RF Devices/Modules For Cellular Terminal Quarterly Market Report Q4 2018 -CD-ROM-	150,000 円(消費税別)	
■年間購読 (四半期レポート4回分)	_____年 第 _____ 四半期レポート から ※記入例 2018 第4 半期レポートから	498,000 円(消費税別)

※上記費用はローカルライセンスを対象としています。

※連結企業の総従業員数が10,000人以上の企業様では、国内の事業部門内又は部署内(子会社の場合は企業単位)のご利用に限定させていただきます。

※日本国外のお客様は、168,000 円となります。

<mailto:info@navian.co.jp> 又は お電話 03-5303-1303

日 付	年		月	日
社 名				
所 属				
役 職		氏 名		印
E - m a i l	@			
住 所	〒 _____			
電 話		F A X		

※電子メールアドレスは、Gmail や YAHOO メールなどのフリーメール以外のメールアドレスをご記入下さい。

- 本レポートに対するご意見・ご要望などございましたら、下記にご記入ください。
