

Navian Marketing Report

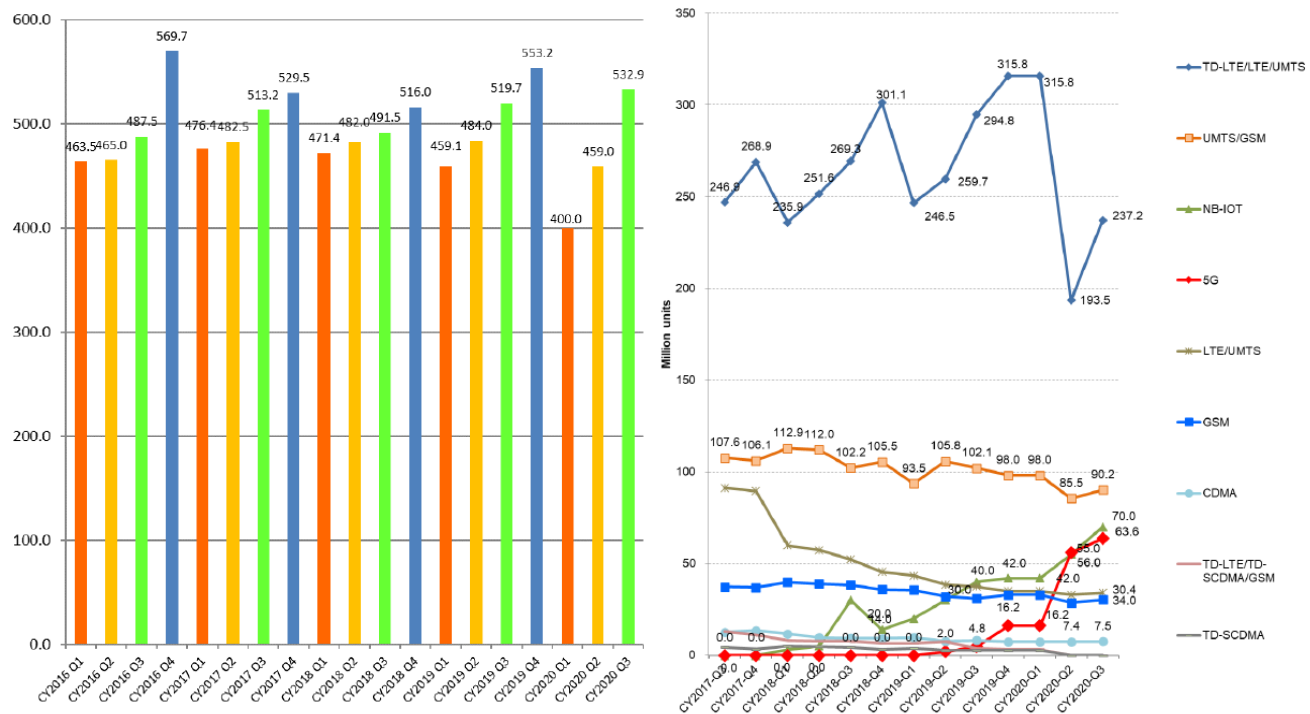
RF Devices/Modules For Cellular Terminal Quarterly Market Report Q3 2020

Released on February 2, 2021

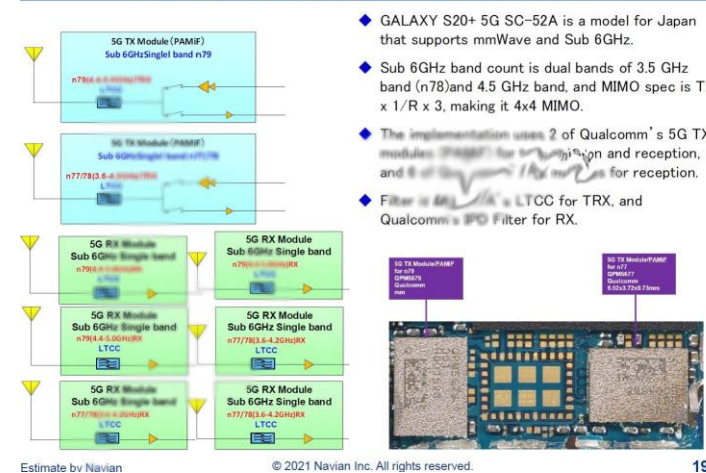
RF Components & Modules in This Report

- ① Front end Module (ASM·TX Module·PAiD·FEMiD·All-in-One FEM·PAMiD·5G TX Module/PAMiF-NEW· Multiplexer·A-Multiplexer·5G RX Module-NEW)
- ② Antenna Switch (Main RF/Diversity) Power Amplifier Module
- ④ Duplexer
- ⑤ Band Pass Filter
- ⑥ TCXO

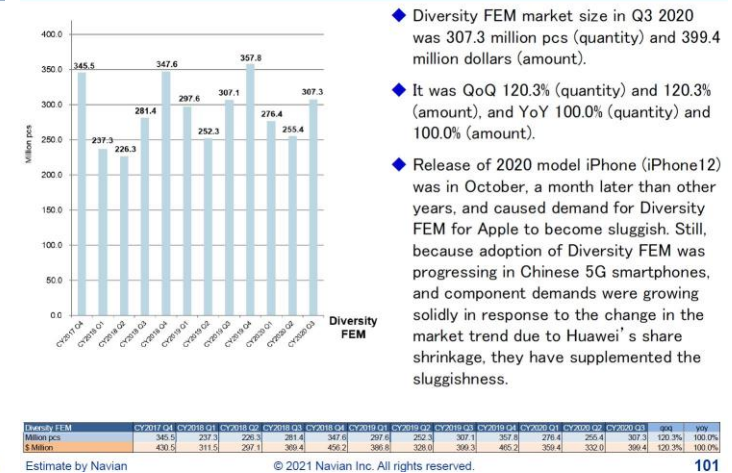
Cellular Terminal Shipment History



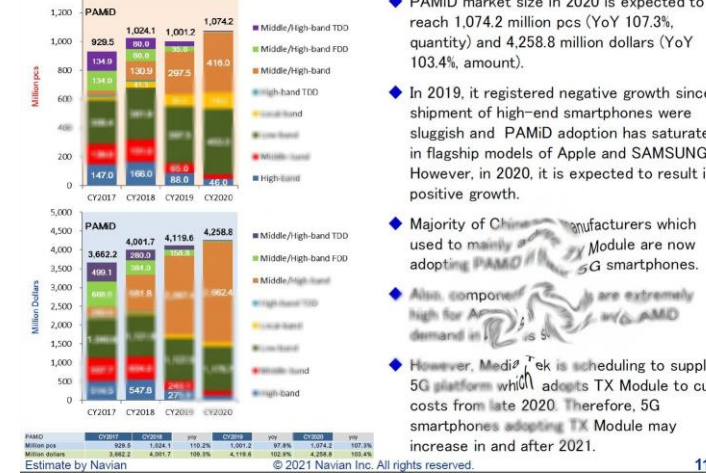
Sub 6GHz RFFE of SAMSUNG GALAXY S20+ 5G SC-52A



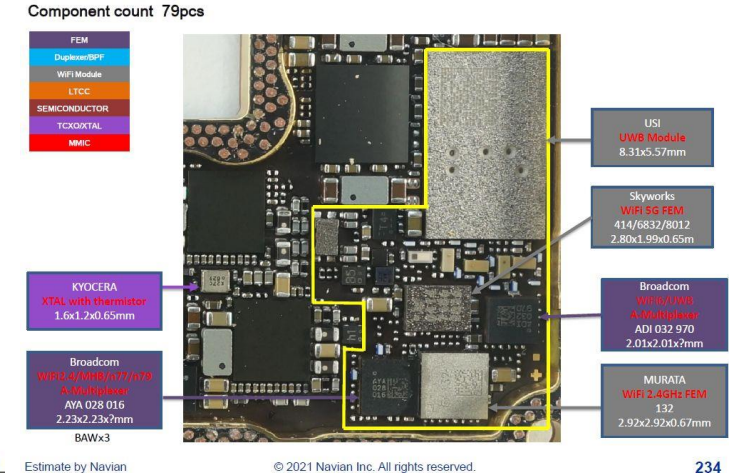
3Q 2020: Diversity FEM Market Size



Market Forecast of PAMiD in 2020



iPhone 12Pro Japan/Canada Model & USA Model RF Section-1



Non-Voice

Voice

Outline of the report
RF Devices/Modules For Cellular Terminal Quarterly Market Report Q3 2020
-CD-ROM (PDF file)-

- The date of issue February 2, 2021
- The Documents of the report The PDF file of 250 SLIDES : MS PowerPoint based/Excel data/JPEG files of Teardown photos
- Report price JP¥168,000
- Annual subscription for four quarterly issues JP¥560,000(JP¥140,000/report)

* Additional notes for companies with more than 10,000 employees on a consolidated basis.
 If you will share our reports between different departments or subsidiaries and affiliated companies, you need to purchase the corporate license. Please confer with us.

Method of order
 ○BY Attached FAX ORDER FORM Fax.+81-3-5303-1304
 ○BY Email order@navian.co.jp with your information as same as FAX ORDER FORM

PAYMENT
 Please Bank Transfer in Japanese Yen to the bank account of the Navian, Inc.
 The report's bill will be sent with the report.
 Payment term is within 1 month after you receive the report.

PUBLISHER
 Navian Inc. <http://www.navian.co.jp>

**PHASE 1. CELLULAR TERMINAL SHIPMENT
AND UPDATE**

1. Cellular Terminal Quarterly Shipment History
2. Cellular Terminal Quarterly Shipment by Product Type
3. Cellular Terminal Quarterly Shipment by Standard
4. Cellular Terminal Annual Shipment
5. Annual Shipment History CY2001-CY2020
6. Annual Cellular Terminal Shipment Trend by Product Type
7. Annual Cellular Terminal Shipment Trend by Cellular Standard

**PHASE 2. SHIPMENT AND STATUS OF
CELLULAR TERMINAL KEY MANUFACTURER**

1. Cellular Terminal Shipment by Maker & Product Type
Q1 CY2016-Q3 CY2020
2. Cellular Terminal Shipment by Maker & Cellular Standard
Q1 CY2016-Q3 CY2020
3. Annual Cellular Terminal Market Share Trend
 - (1) Cellular Terminal Shipment by Manufacturer & Product Type
CY2015-CY2020
 - (2) Cellular Terminal Shipment by Manufacturer & Cellular Standard
CY2015-CY2020
4. RF Platform Market Share by Cellular Terminal Manufacturer
 - (1) UMTS RF Platform Market Share by Cellular Terminal Manufacturer
Quarterly data: Q1 CY2016-Q3 CY2020
Annual data: CY2016-CY2020
 - (2) UMTS RF Platform Market Share by Cellular Terminal Manufacturer
Quarterly data: Q1 CY2016-Q3 CY2020
Annual data: CY2016-CY2020

**PHASE 3. RF Devices / Modules
For Cellular Market Trend**

1. Front End Modules
 - (1) Quarterly Front End Module Market Trend
 - (2) Annual Front End Module Market Trend by Product
 - (3) Detailed Data of Front End Module Market
 - (4) Q3 CY2020 : Front End Module Market Size & Trend by Product
 - ①Antenna Switch Module
 - ②TX Module
 - ③FEMiD
 - ④All-in-One FEM

- ⑤PAMiD
- ⑦PAiD
- ⑧Multiplexer (Quadplexer/Hexaplexer)
- ⑨Antenna –Multiplexer
2. Antenna Switches
 - (1) Antenna Switch Market Size in Q3 CY2020
Antenna Switch TOTAL Market Size
Antenna Switch for Main RF Market Size by Throw Count
Antenna Switch for Main RF Market Size by Substrate
Antenna Switch for Diversity Market Size by Substrate
 - (2) Quarterly Detailed Data of Antenna Switches
 - (3) Annual Market Size of Antenna Switch in CY2020
Market Size of Antenna Switch
Market Size of Antenna Switch for Main RF by Throw Count
Market Size of Antenna Switch for Main RF by Substrate
Market Size of Antenna Switch for Diversity by Substrate
 - (4) Annual Detailed Data of Antenna Switch Market
3. Power Amplifier Module
 - (1) Power Amplifier Module Market Size in Q3 CY2020
 - (2) Annual Market Size of Power Amplifier Module by Product Type in CY2020
 - (3) Annual Detailed Data of Power Amplifier Module Market
4. Duplexers
 - (1) Duplexer Market Size in Q3 CY2020
 - (2) Annual Market Size of Duplexer by Band in CY2020
 - (3) Annual Detailed Data of Duplexer Market
5. Band Pass Filters
 - (1) Band Pass Filter Market Size in Q3 CY2020
 - (2) Annual Market Size of Band Pass Filter in CY2020
6. TCXOs
 - (1) TCXO Market Size in Q3 CY2020
 - (2) Annual Market Size of TCXO in CY2020

**PHASE 4. RF COMPONENT/MODULE
KEY MANUFACTURER TREND**

1. Front End Modules
 - (1) Antenna Switch Module
ASM Market Share for Q3 CY2020 & CY2020 Forecast
ASM Market Share Breakdown per Product Type
 - (2) RX Module
RX Module Market Share for Q3 CY2020 & CY2020 Forecast

- RX Module Market Share Breakdown per Product Type
 - (3) TX Module
TX Module Market Share for Q3 CY2020 & CY2020 Forecast
TX Module Market Share Breakdown per Product Type
 - (4) FEMiD
FEMiD Market Share for Q3 CY2020 & CY2020 Forecast
FEMiD Market Share Breakdown per Product Type
 - (5) PAiD
PAiD Market Share for Q3 CY2020 & CY2020 Forecast
PAiD Market Share Breakdown per Product Type
 - (6) Filter Bank
Filter Bank Market Share for Q3 CY2020 & CY2020 Forecast
Filter Bank Market Share Breakdown per Product Type
 - (6) Duplexer Bank
Duplexer Bank Market Share for Q3 CY2020 & CY2020 Forecast
Duplexer Bank Market Share Breakdown per Product Type
 - (7) Multiplexer
Multiplexer Market Share for Q3 CY2020 & CY2020 Forecast
Multiplexer Market Share Breakdown per Product Type
2. Antenna Switches
 - (1) Antenna Switch Market Share for Q3 CY2020 & CY2020 Forecast
 - (2) Quarterly Antenna Switch for Main RF Market Share Breakdown
 - (3) Annual Antenna Switch for Main RF Market Share Breakdown
 - (4) Quarterly Antenna Switch for Diversity Market Share Breakdown
 - (5) Annual Antenna Switch for Diversity Market Share Breakdown
 - (6) Antenna Switch Supply chain
3. Power Amplifier Module
 - (1) PAM Market Share for Q3 CY2020 & CY2020 Forecast
 - (2) 3G/4G PAM Market Share for Q3 CY2020 & CY2020 Forecast
 - (3) UMTS PAM Supply chain
 - (4) MM PAM Type & Supply Chain
 - (5) MM PAM Market Share for Q3 CY2020 & CY2020 Forecast
 - (6) MM PA Shipment Breakdown per Manufacturer
 - (7) Quarterly PAM Market Share Breakdown per Product Type
 - (8) Annual Power Amplifier Module Market Share Breakdown
4. Duplexers
 - (1) Duplexer Market Share for Q3 CY2020 & CY2020 Forecast
 - (2) Duplexer Supply chain
 - (3) Quarterly Duplexer Market Share Breakdown per Product Type
 - (4) Annual Duplexer Market Share Breakdown per Product Type

5. Band Pass Filters
 - (1) BPF Market Share for Q3 CY2020 & CY2020 Forecast
 - (2) BPF Market Share history by Product Type: SAW & BAW
6. TCXOs
 - (1) TCXO Market Share for Q3 CY2020 & CY2020 Forecast
 - (2) TCXO Market Share Breakdown per Product Type
 - (3) TCXO Supply chain

PHASE 5. 5G Situation & Forecast

- 1.5G Shipment CY2019-CY2020
2. 5G Shipment CY2019-CY2020 by Brand
3. ANTENNA FEM for Millimeter Wave
3. 5G RFFE Case Studies -Sub 6GHz-
 - (1) Sub 6GHz RFFE of SAMSUNG GALAXY S10 5G SM-G977N
 - (2) Sub 6GHz RFFE of Huawei MATE20X5 EVR-AN00
 - (3) Sub 6GHz RFFE of Xiaomi Mi Mix 3 5G M1810E5GG
 - (4) Sub 6GHz RFFE of OPPO Reno3 5G
4. 5G RFFE Market Forecast in 2020
5. Market Forecast of 5G TX Module/PAMiF in 2020
6. 5G TX Module/PAMiF Market Share for Q3 CY2020 & CY2020 Forecast
7. Market Forecast of AiP (Antenna in Package) in 2020
8. AiP (Antenna in Package) for Q3 CY2020 & CY2020 Forecast
9. Market Forecast of 5G RX Module in 2020
10. 5G RX Module for Q3 CY2020 & CY2020 Forecast
11. Market Forecast of 5G Band Pass Filter (BPF) in 2020
12. 5G Band Pass Filter (BPF) for Q3 CY2020 & CY2020 Forecast
13. 5G RFFE Market Forecast in 2020
14. 5G RFFE Vendor Trend in 2020

PHASE 6. Hot Products Teardown

1. Teardown Summary
 - (1) Product outline: Product type/Release date/price/Network
 - (2) RF Components / Modules useage
2. iPhone 12Ptp -A2215- Japan/Canada Model
-1st 5G iPhone compatible with Sub 6GHz-
3. iPhone 12Ptp -A2341- USA Model
-1st 5G iPhone compatible with mmW and Sub 6GHz-
4. SAMSUNG GALAXY S20+ Japan Model
-Latest GALAXY S Series compatible with mmW and Sub 6GHz-

ORDER FORM
ATTN: NAVIAN INC.
Fax : +81-3-5303-1304

**RF Devices/Modules For Cellular Terminal
Quarterly Market Report English Version**

Report Title	Price	Initial
RF Devices/Modules For Cellular Terminal Quarterly Market Report Q3 2020 PDF File	JPY168,000	
<input checked="" type="checkbox"/> Annual Report (four quarterly issues)	From YY (), QTR. () for one year. *Example: YY (20), QTR. (1).	JPY560,000

* Additional notes for companies with more than 10,000 employees on a consolidated basis.

If you will share our reports between different departments or subsidiaries and affiliated companies, you need to purchase the corporate license. Please confer with us.

Annual subscribers (four quarterly issues) – please check ONE invoicing option below.

- Full invoicing (invoiced upon first report delivery).
 Split invoicing (quarter invoicing upon quarterly report delivery).

YOUR P.O. NUMBER	<i>For our invoice referencing purpose.</i>
------------------	---

Date of order	(YYYY)	/ (MM)	/ (DD)
First name		Last name	
Company			
Job title		Department	
Address			
State/Province		Zip code	Country
Contact Phone		FAX	
E-mail	@		

Authorizing Signature

Signature Date

CONTACT

ATTN: Yoshiyasu Andoh
E-mail: andoh@navian.co.jp

Navian Inc.
2-18-2, Zenpukuji, Suginami-ku, Tokyo 167-0041, Japan
Phone: +81-3-5303-1303
Fax: +81-3-5303-1304